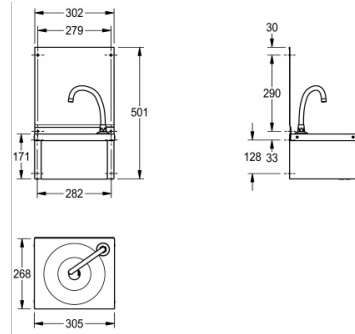


# WASH BASIN WITH KNEE OPERATIONS: ANMX216

ANMX216 | 2000101028

PRODUCT GROUP : Wash basins & Washtroughs | ARTICLE FAMILY : Wash basins | ARTICLE GROUP : ANMX216 |  
 MODEL RANGE : ANIMA



Knee operated wash hand basin is manufactured from stainless steel - satin polish finish, material thickness 0.9mm. Supplied complete with water spout positioned in rear right hand corner and 32mm waste outlet. Note: The pre-mixing valve and the pipework linking the water spout to the knee operated front panel is all supplied with the washbasin. Wall mounted by fitting a top joggle strip under the upstand return and by screw fixing through the integral rear brackets. Screws and plugs are not supplied.

## TECHNICAL DATA

splash back height	330.00 mm
Type of basin	vanity basin
Bowl position	center
Bowl height	171.00 mm
Bowl finish	Descaled
Bowl width	221.00 mm
Bowl shape	circle
Bowl depth	221.00 mm
Colour	no colour
Gross weight	4.30 kg
Material	Stainless steel
Material code	1.4301 Chrome Nickel steel V2A
Material thickness	0.90 mm
Net weight	4.00 kg
Number of bowls	1
Overall depth	268.00 mm
Overall height	501.00 mm
Overall width	305.00 mm
Overflow	no
Rear upstand	no
Splash back	yes
Surface finish	satin finished
Number of tap holes	1
Tap hole diameter	32.00 mm
Tap hole position	right

Tap ledge	no
Type of mounting	Wall mounting
Waste hole position	Centre
Waste kit included	No
Waste size	DN 25
Product code	203.0000.038