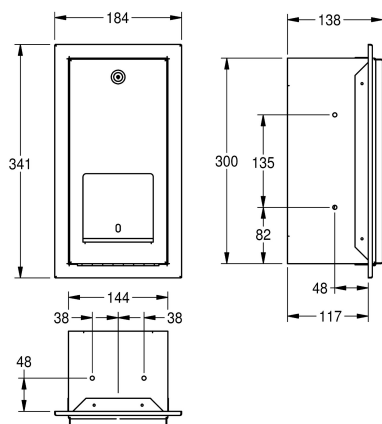


**KWC RODAN**  
Toilet roll holder for recessed mounting

Modell-Linie: **RODAN** | **RODX672E** | **2000090073** | **EAN/GTIN: 7612210067235**  
Accessories | WC-roll holders



**Article Number**

**2000090073**

Dimensions 184 x 341 x 138 mm (W x H x D)

Double toilet roll holder with spindle system for recessed mounting, stainless steel, surface satin finished, material thickness 0.8 mm, folded front cover, cylinder lock with KWC standard key, for 2 rolls with max. diameter 120 mm, second roll will be released

after consumption of first roll, reserve roll not visible, includes stainless steel screws and dowels.

Dimensions 184 x 341 x 138 mm (W x H x D)

**Technical Data**

maximum depth/diameter of cons	115 mm
maximum width of consumable	115 mm
filling quantity	2
filling quantity uom	rolls
lock	key-lock
material	stainless steel
material code	1.4301 Chrome Nickel steel V2A
material thickness	0.8 mm
overall depth	138 mm
overall height	341 mm
overall width	184 mm
spindle	yes
surface finish	satin finished
type of fixing	screw
type of mounting	recessed mounting