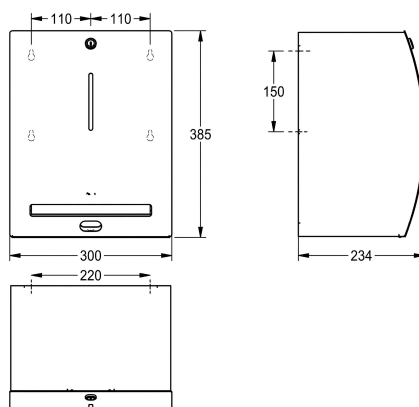


KWC STRATOS

Electronic paper towel dispenser for wall mounting

Modell-Linie: STRATOS | STR630 | 3600008885 | EAN/GTIN: 7612987159881

Accessories | Paper towel dispensers



Article Number

3600008885

Dimensions 300 x 385 x 234 mm (W x H x D)

STRATOS electronic paper towel dispenser for wall mounting, stainless steel, surface satin finished, material thickness 1.5 mm, curved front with inspection window, cylinder lock with key, non-contact paper dispensing via infrared sensor, integrated tear-off edge, including four 1.5 V (=6 V) batteries type D, easy paper roll change, suitable for rolls with a width of 190-205 mm and a core

of 35 mm, maximum diameter approx. 200 mm, paper length adjustable in three lengths to 200, 250 and 300 mm, including mounting material.

Dimensions 300 x 385 x 234 mm (W x H x D)

Technical Data

maximum depth/diameter of cons

220 mm

maximum width of consumable

205 mm

filling quantity

1

filling quantity uom

rolls

lock

key-lock

material

stainless steel

material code

1.4301 Chrome Nickel steel V2A

material thickness

1.5 mm

number of batteries

4

overall depth

234 mm

overall height

385 mm

overall width

300 mm

surface finish

satin finished

type of batteries

D Mono battery 1.5 V

type of consumable

paper roll

type of fixing

screw

type of mounting

wall mounting

type of operation

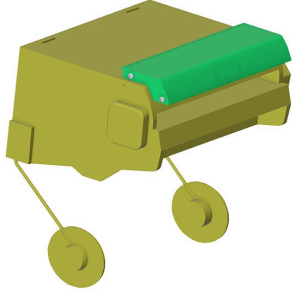
sensor operation

Spare Parts

KWC STRATOS

Electronic paper towel dispenser for wall mounting

Modell-Linie: STRATOS | STR630 | 3600008885 | EAN/GTIN: 7612987159881
Accessories | Paper towel dispensers



Operating unit

2000103335
EACCS056
