

Sensorflow 21 Compact Tubular 23cm Panel Spout Integral Sensor, Mains

ILLUSTRATED

A4849 Sensorflow 21 compact 230mm panel mounted spout with integral sensor, 3.7 litre per minute aerated spray outlet, combined inline servicing valve and filter, mains

OPTIONS

- A861605** Antivandal insert PCA laminar 1.9 l/min (qty 10)
- A861606** Insert PCA aerated 1.3 l/min (qty 10)
- A861607** Insert PCA aerated 1.9 l/min (qty 10)
- EW252** Flow regulator 1.9 LPM comfort std (qty 1)
- EW253** Flow regulator 1.9lpm comfort anti-vandal (qty 1)

ILLUSTRATED PRODUCT DETAILS

Weights

A4849 2.30 KG

Finishes

A4849  Chrome (AA)

Materials

A4849 Chrome Plated Brass

Flow rates

A4849 3.7 Litres per minute @ 3 bar pressure

FINISH OPTIONS



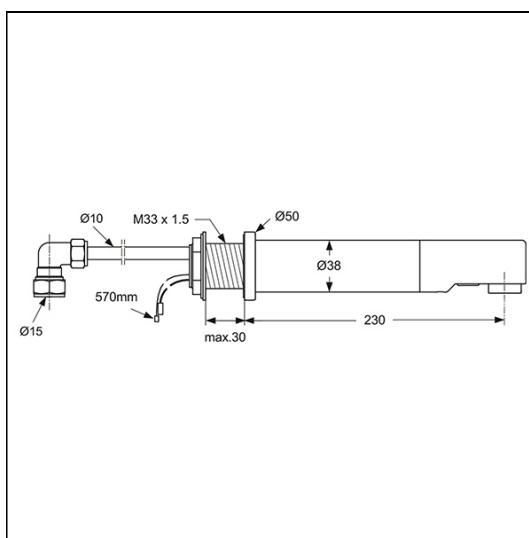
Special Notes

Designed to be supplied with pre-mixed water.

Consideration should be given to safe hot water delivery and the use of an appropriate temperature reduction device, please see A5900AA (for use with 15mm pipework) or A5901AA (for use with 22mm pipework).

The downward pointing sensor is set to work in the normal handwashing position. This helps to eliminate false triggering from high visibility clothing associated with forward facing sensors, we also do not recommend the use of chromium plated wastes. Automatically shuts off if sensor is obstructed for a maximum of 55 seconds. Mains powered transformer with option to use up to 5 link units per main unit or alternatively there are stand alone battery powered units available. Flow rate regulated at 3.7 litres per minute at 1 bar.

Mains powered Sensorflow products must be connected to a continuous permanent power supply of these require 220-240 volts and each 1 having its own fuse spur.



ACCREDITATIONS

FEATURES

