

Sandringham SL 21 Basin mixer no waste

ILLUSTRATED

B3307 Sandringham SL 21 basin mixer, no waste with 5 litre per minute eco flow regulator

OPTIONS

A5900 TMV thermostatic mixing valve, 15mm

ILLUSTRATED PRODUCT DETAILS

Weights

B3307 1.13 KG

Finishes

B3307  Chrome (AA)

Materials

B3307 Chrome Plated Brass

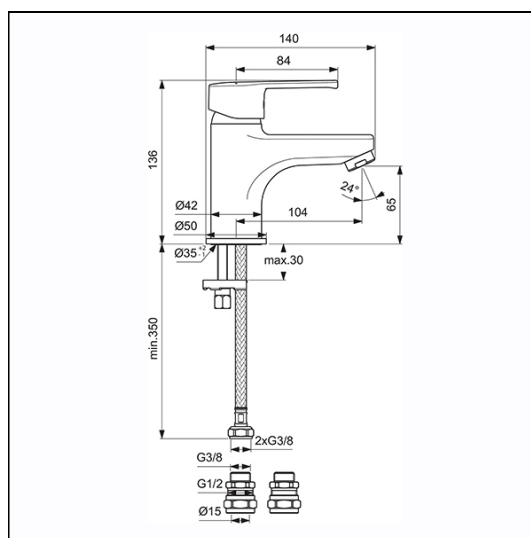
Flow rates

B3307 5 Litres per minute @ 3 bar pressure

Special Notes

Easy to operate lever handle. Ceramic disc valves.

Factory fitted 5 litre per minute flow regulator. Consideration should be given to safe hot water delivery and the use of an appropriate temperature reduction device, please see A5900AA (for use with 15mm pipework) or A5901AA (for use with 22mm pipework).



ACCREDITATIONS



FEATURES

