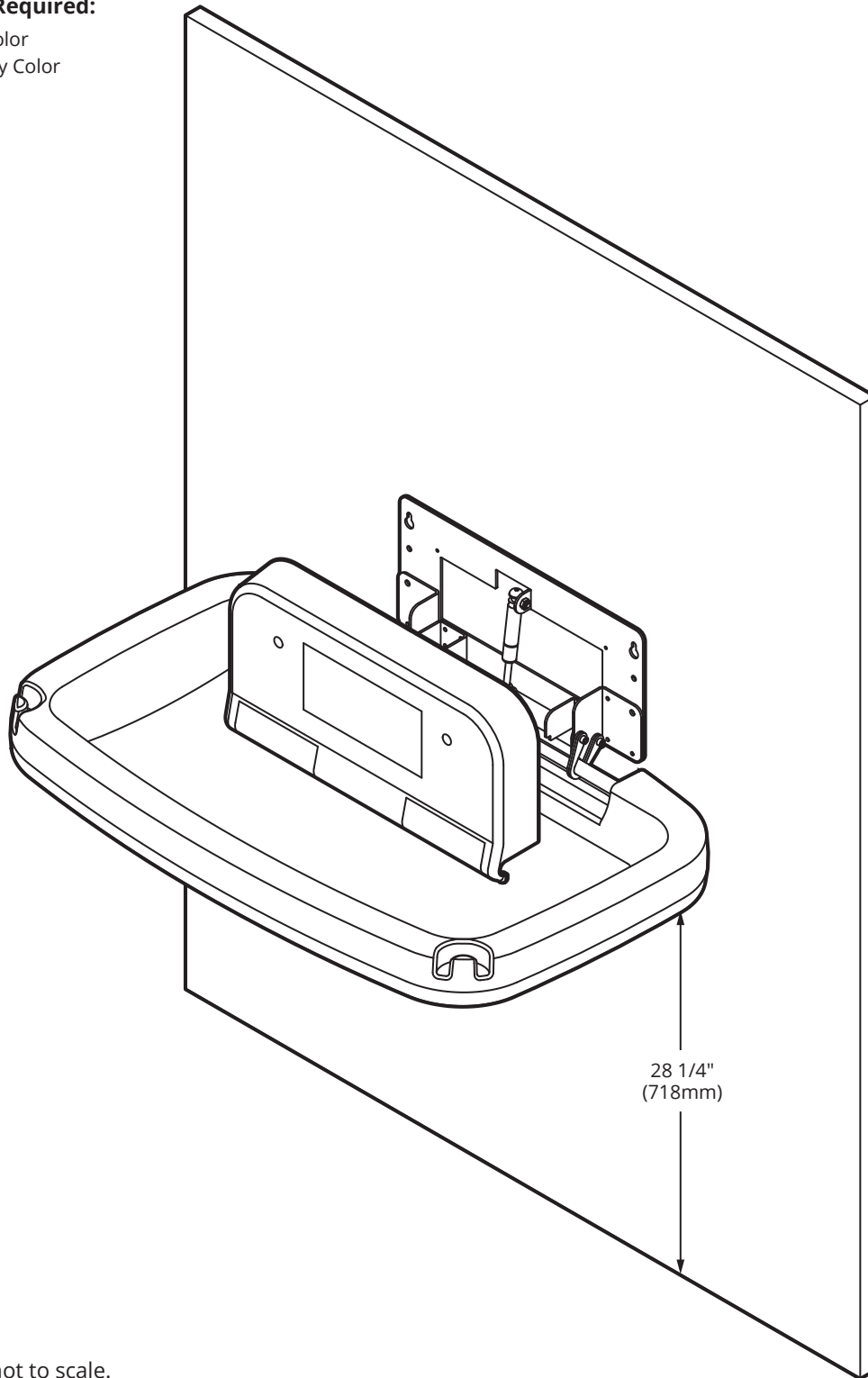


Specify Model Required:

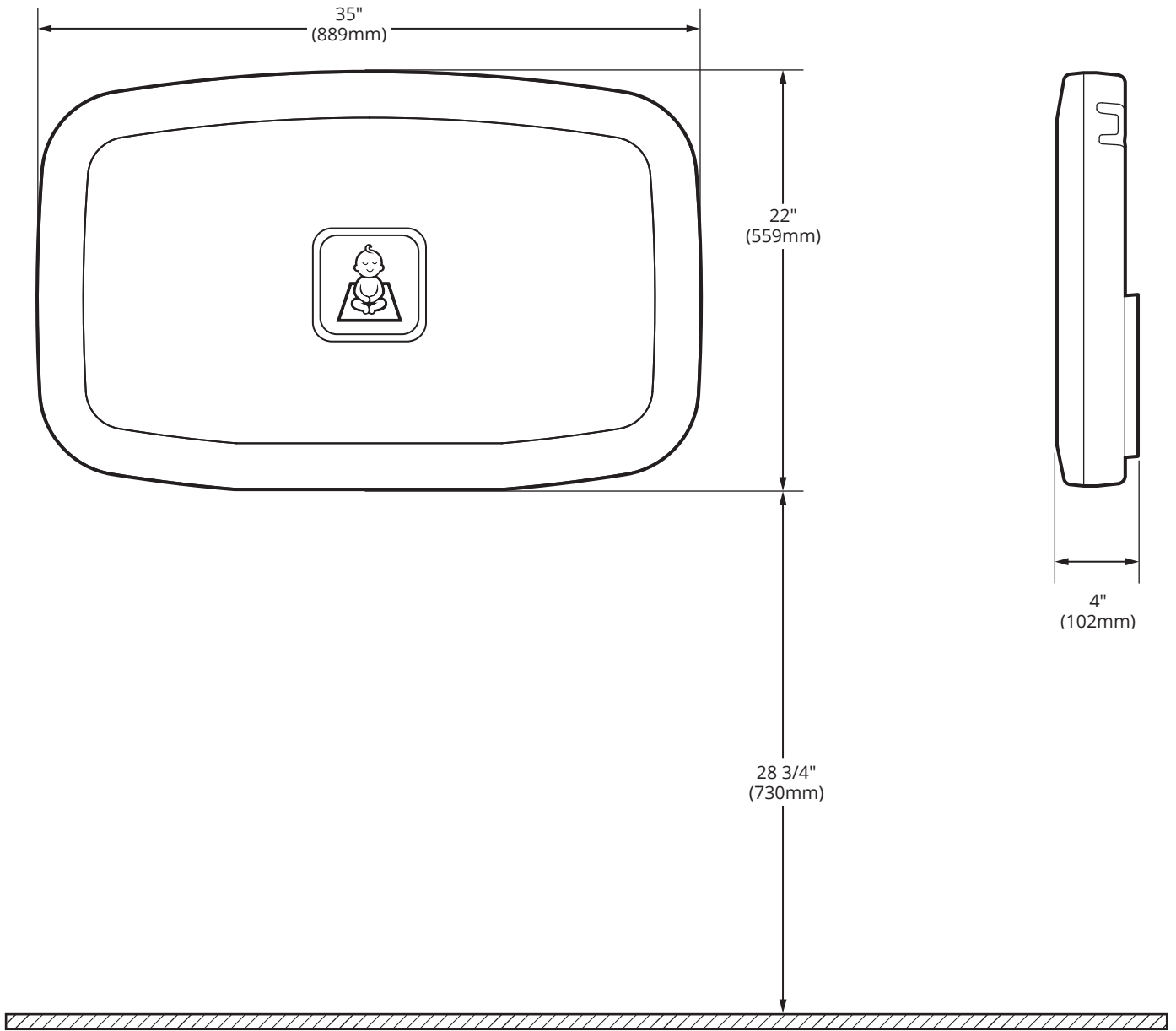
- BCS-3 Cream Color
- BCS-4 Light Grey Color



*Diagrams are not to scale.

continued . . .

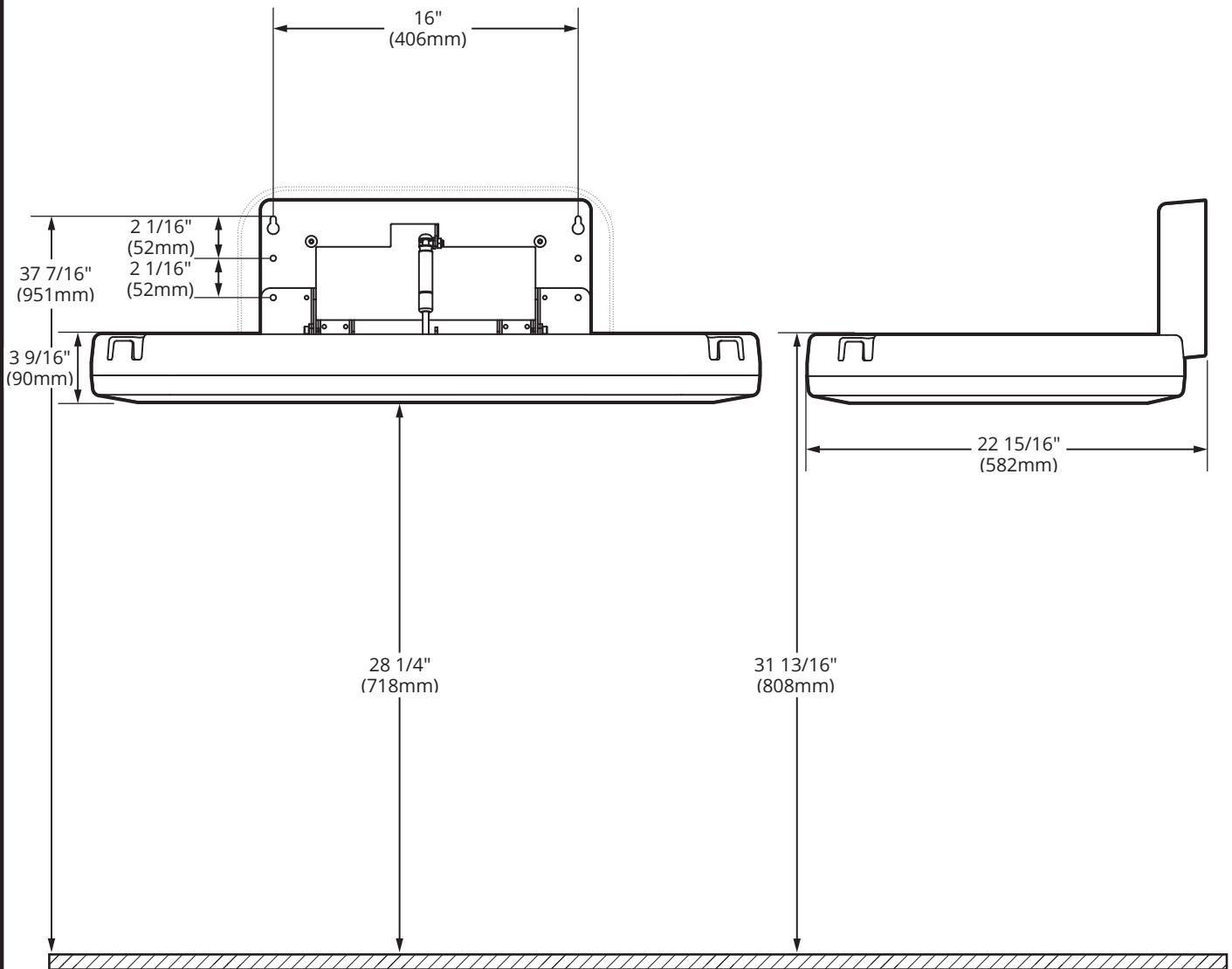
Closed Position



*Diagrams are not to scale.

continued . . .

Open Position



*Diagrams are not to scale.

continued . . .

MATERIALS:

Injection-molded polypropylene. Reinforced steel-on-steel hinge mechanism and metal mounting chassis with mounting hardware included. Labelled usage instructions and safety messages in four languages. Contoured changing surface area is 450 sq. in (2903 sq. cm) and comes complete with nylon safety strap and bag hooks.

OPERATION:

Concealed pneumatic cylinder and metal mounting chassis provides controlled, slow opening and closing of bed. Polypropylene is easy to clean and resists odors and bacterial growth. Complies with ASTM static load performance requirements when properly installed.

Warning: To ensure that the unit supports the intended loads, baby changing stations must be properly installed according to the manufacturer's instructions.

SPECIFICATION:

Baby changing station body shall be durable, injection-molded polypropylene. Design of unit shall be surface-mounted. Unit shall be equipped with a pneumatic cylinder for controlled opening and closing of bed. Bed shall be secured to metal mounting chassis with a concealed steel-on-steel hinge. No hinge structure shall be exposed on interior or exterior surfaces. Unit shall comply with ADA regulations when properly installed. Bed shall have smooth concave changing area with a nylon safety strap and two hooks for bags or purses. The design and manufacture of Gamco products is intended to be compliant with the 2010 ADA Standards for Accessible Design and the 2009 ICC A117.1, Accessible and Usable Buildings and Facilities. Unit shall conform to ASTM F2285-22 Standard Safety Performance Specification for Diaper Changing Tables for Commercial Use, ANSI Z535.4 Product Safety Signs and Labels.

Unit shall be backed by manufacturer's 1-year limited warranty on materials and workmanship.

Unit shall be manufactured in the U.S.A.

ADA REQUIREMENTS:

Additional information on how this product complies with ADA requirements can be found in the BCS Baby Changing Stations Accessibility Compliance document on www.gamco.com.

The illustrations and descriptions herein are applicable to production as of the date of this Technical Data Sheet. The manufacturer reserves the right to, and does from time to time, make changes and improvements in designs and dimensions without notice.

Baby Changing Station shall be model BCS-1 or -2 of Gamco Commercial Restroom Accessories, One Gamco Place, Durant, OK, 74701-1910