

Conceala 2 Cistern Low Level 4.5 or 6 Litre Syphon Side Supply

ILLUSTRATED

S3617 Conceala 2 4.5 or 6 litre cistern, single flush syphon, side supply, internal overflow, plastic flushbend and long CP lever

OPTIONS

- S4491** Lever flushing Conceala 2 extended 250mm
- S4492** Lever flushing Conceala 2 extended 400mm

ILLUSTRATED PRODUCT DETAILS

Weights

S3617 3.00 KG

Finishes

S3617 Neutral / No Finish (67)

Materials

S3617 Plastic

Capacity

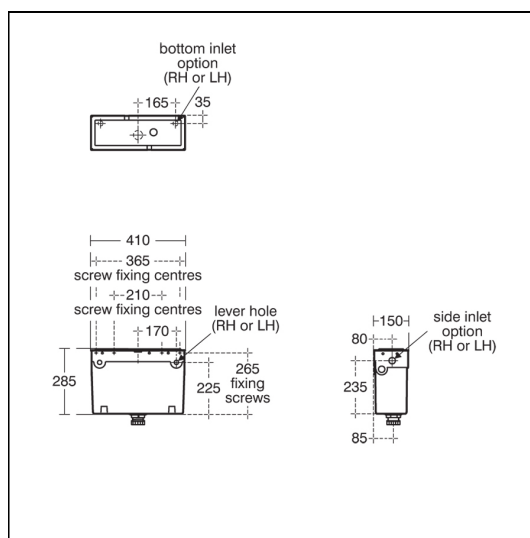
S3617 4.5 litres

Standards

Cistern to BS EN 14055

Special Notes

Lever supplied with cistern is suitable for 150mm max wall thickness. Longer levers for thicker walls can be purchased. Chain pull mechanism for maximum wall thickness 150mm. See options on page 6:2:95.



ACCREDITATIONS

